

: solid machinist

Edgecam Solid Machinist is a powerful and seamlessly integrated CAM system for generating milling and turning machining strategies and NC code from solid models.

Automated Feature Recognition

Within Edgecam, the integrity of your design is maintained because the solid model is imported without translation. Edgecam Solid Machinist uses automatic feature recognition to interrogate the solid model and quickly identify machinable features. Edgecam then offers the user the most appropriate tooling and machining strategy to generate accurate toolpaths.

Intelligent manufacturing on a solid foundation

The associative link between Edgecam Solid Machinist and the original model ensures that even late design changes won't affect lead times. Anyone interested in tighter integration between engineering and manufacturing should consider Edgecam Solid Machinist.

Edgecam Strategy Manager

Used in conjunction with Edgecam Solid Machinist, Edgecam Strategy Manager provides fast and reliable machining of solid models, resulting in increased productivity.

The application streamlines programming by capturing the knowledge from previously machined parts and applying it to new components – eliminating programming errors and delivering an unprecedented level of consistency and automation

Edgecam Part Modeler

Edgecam Part Modeler is a 3D modeling tool specifically designed for rapid construction or editing of solid models. It offers a cost effective solid modeling solution, complete with fully associative drafting capability. It is also the perfect complement to Edgecam Solid Machinist and the ideal choice for customers who are modelling components for production machining, or need to construct workholding systems such as chuck jaws or milling jigs and fixtures.

Solid Machinist has a wide range of innovative features which offer a fast and reliable route to manufacture.

Key Features

Open files from all major CAD systems including :

Autodesk Inventor

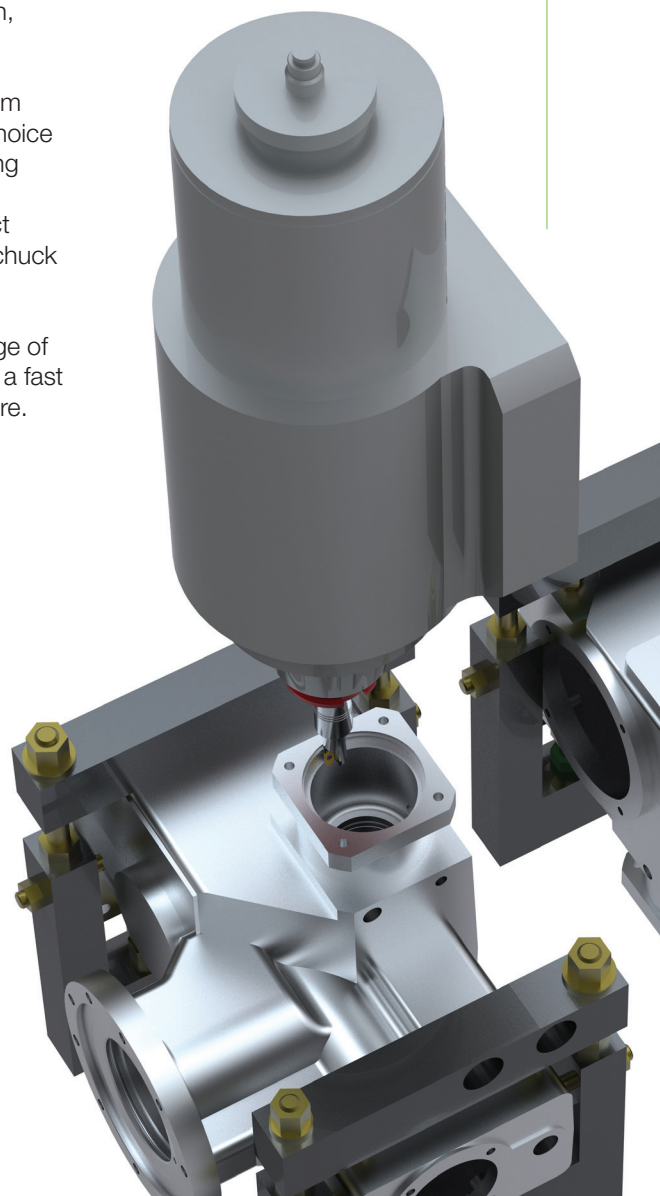
SolidWorks

Solid Edge

Unigraphics NX

CATIA V5

Pro/ENGINEER



: part modeler

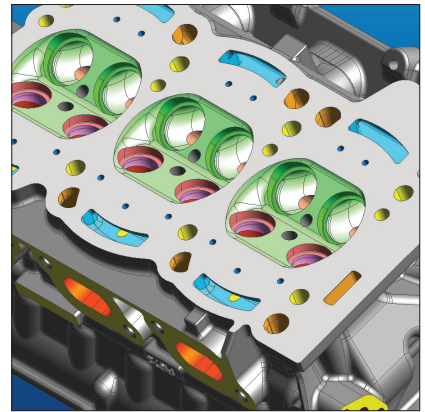
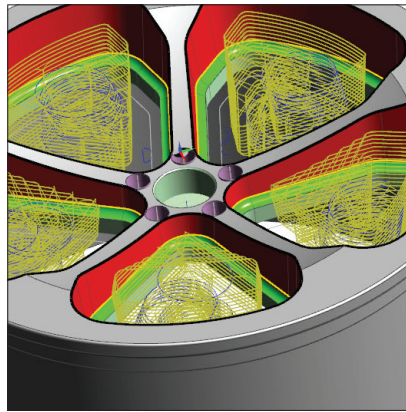
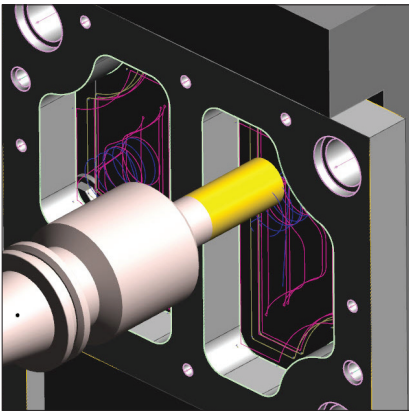
Rapid Modelling for Manufacturing

Edgecam Part Modeler is a cost effective, 3D modeling tool specifically designed for quick and simple construction / modification of solid models.

Key Features

Edgecam Part Modeler will import and manipulate files from most CAD systems, including :

SolidWorks
Solid Edge
Unigraphics NX
STEP files
IGES
DXF
Parasolid



Part Modeler comes complete with fully associative drafting capability. It's the perfect complement to Edgecam Solid Machinist – providing advanced modelling tools to create parts or workholding systems such as chuck jaws or fixtures. The major features of a machine tool can also be modelled, for accurate cutting simulation and collision detection within Edgecam.

With the ability to execute a series of logically grouped construction operations as a single keystroke, Edgecam Part Modeler enables rules to be applied simultaneously across multiple parts of an assembly with automatic part-to-part compatibility. Full associativity is maintained across 2D and 3D drafting; isometric, plan and orthogonal views; standard and ordinate dimensioning; and geometric tolerancing.

Part Modeler's intuitive user interface can be quickly and easily tailored to

individual requirements, with features such as dockable windows and customisable menus and toolbars ensuring a highly productive, smooth and seamless progression from design concept through to finished component model and detail drawing.

Tighter integration between engineering and manufacturing paves the way to increased productivity.

Edgecam Solid Machinist

Edgecam Solid Machinist is a powerful and seamlessly integrated CAM system for generating machining strategies and NC code from solid models. Part Modeler data is loaded directly into Edgecam, where innovative functionality offers state-of-the-art solids-based machining. Automatic feature recognition enables machinable features to be identified, with

Edgecam, then offers the most appropriate tooling and strategies to cut them. The associative link between Edgecam Solid Machinist and the original Part Modeler data means that even late design changes won't affect lead times.

Edgecam Strategy Manager

Used in conjunction with Edgecam Solid Machinist, Edgecam Strategy Manager provides automated machining of solids and a rapid return on investment through increased productivity.

The application streamlines part programming by capturing the knowledge from previously machined parts and applying it to new components, eliminating programming errors and delivering an unprecedented level of consistency and automation.